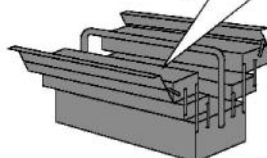
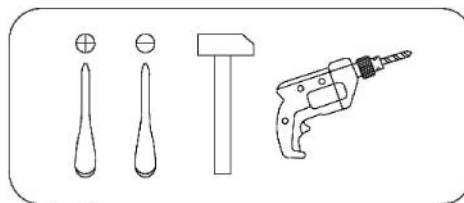
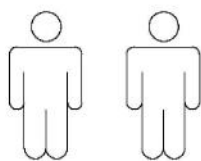


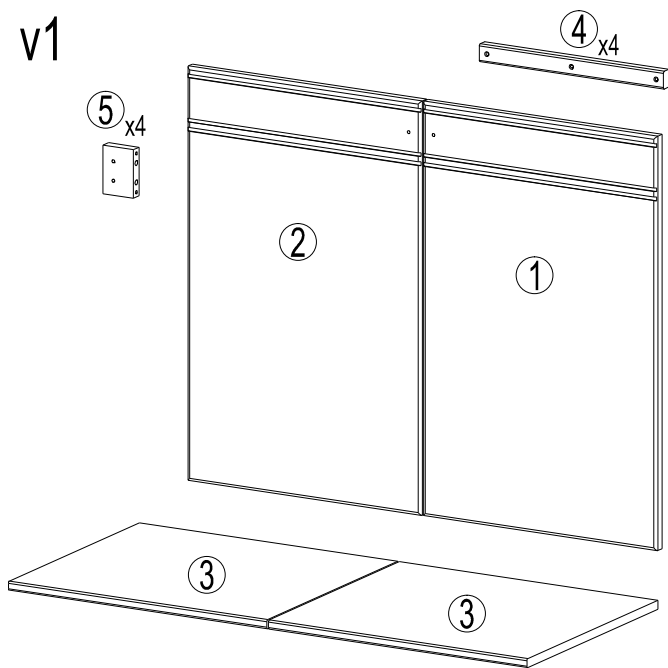
- | | |
|---------------------------------------|------------------------------------|
| D Montageanleitung | GB Assembly instructions |
| FR Notice de montage | IT Istruzioni di montaggio |
| NL Handleiding voor de montage | PL Instrukcja montażu |
| CZ Montážní návod | SK Návod na montáž |
| HU Szerelési útmutató | RO Instrucțiunile de montaj |
| TR Montaj talimatı | RU Инструкция по монтажу |



1-3

EAC

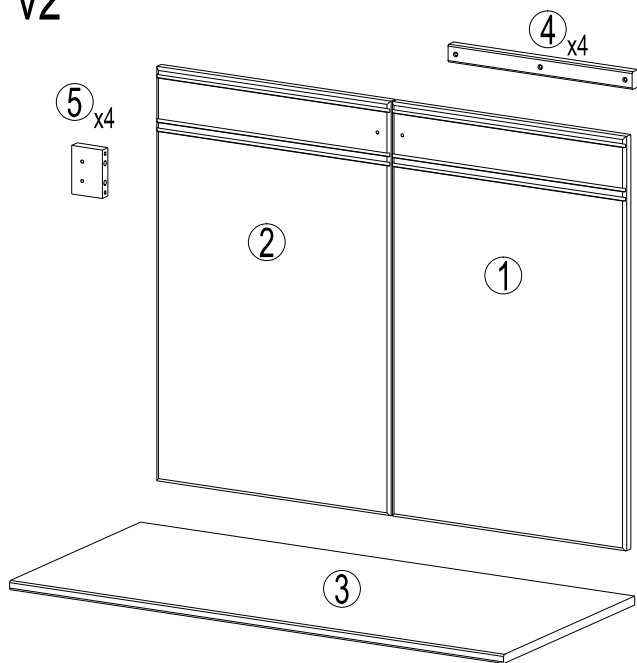
v1



| No | Size/MaB (mm) | Qty | ✓ |
|----|---------------|-----|---|
| 1 | 683x430x18 | 1 | |
| 2 | 683x430x18 | 6 | |
| 3 | 475x417x15 | 2 | |
| 4 | 348x30x18 | 4 | |
| 5 | 80x56x18 | 4 | |

| | | | | | |
|---|----------------------|---|-------------------------|---|------------------------|
| A | 230010 8x32 x8 | B | 210118 x2 | C | 030052 M4x22 x2 |
| D | 180043 x4 | E | 180088 x4 | F | 250012 3,5x15 x8 |
| G | 250045 4x45 x8 | H | 250021 3,5x30 x12 | I | 190009 x8 |

v2



| No | Size/MaB (mm) | Qty | ✓ |
|----|---------------|-----|---|
| 1 | 683x430x18 | 1 | |
| 2 | 683x430x18 | 6 | |
| 3 | 908x417x15 | 1 | |
| 4 | 348x30x18 | 4 | |
| 5 | 80x56x18 | 4 | |

| | | | | | |
|---|----------------------|---|-------------------------|---|------------------------|
| A | 230010 8x32 x8 | B | 210118 x2 | C | 030052 M4x22 x2 |
| D | 180043 x4 | E | 180088 x4 | F | 250012 3,5x15 x8 |
| G | 250045 4x45 x8 | H | 250021 3,5x30 x12 | I | 190009 x4 |

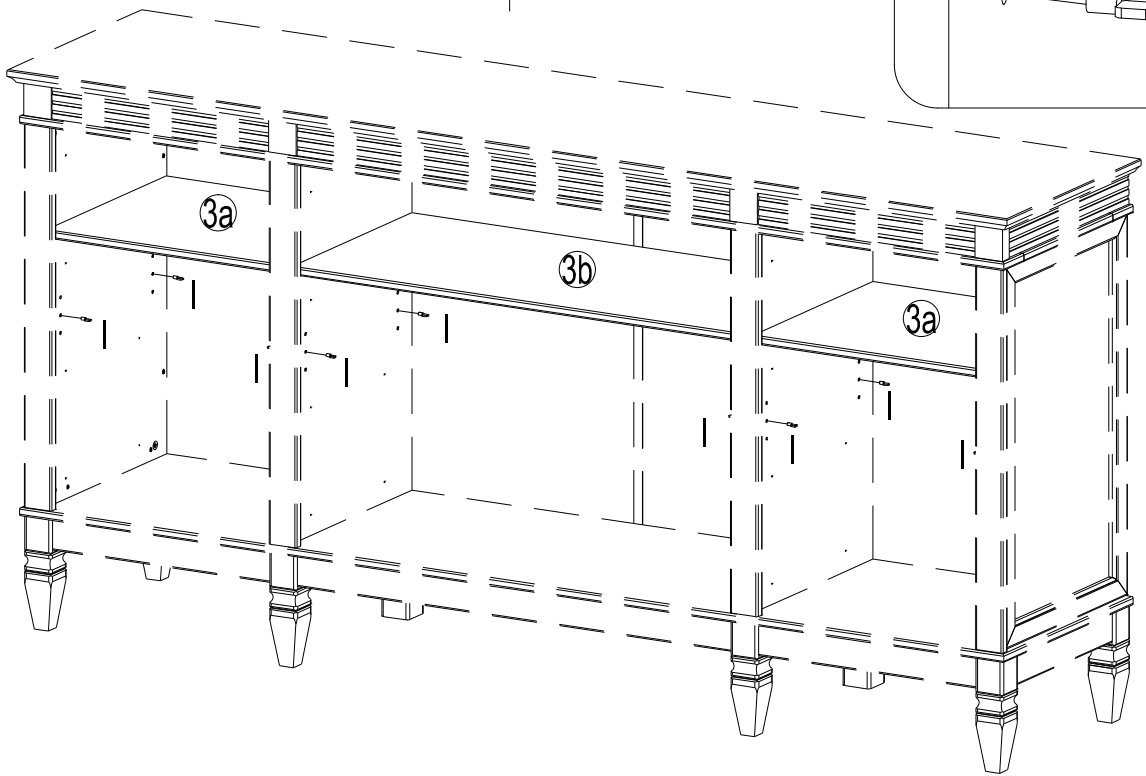
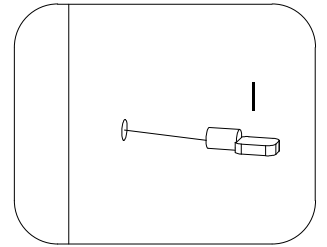


1

v1 | 190009 | x8



v2 | 190009 | x4



2

v1,v2

