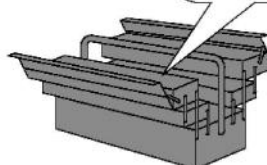
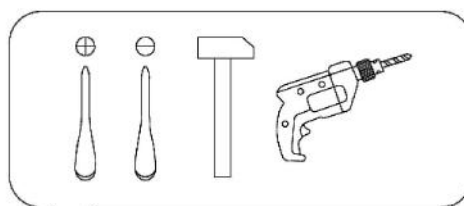
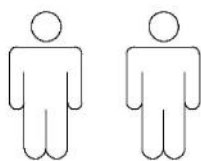
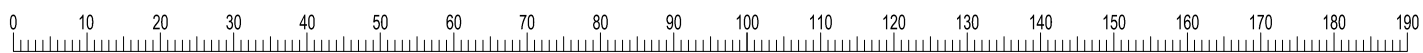
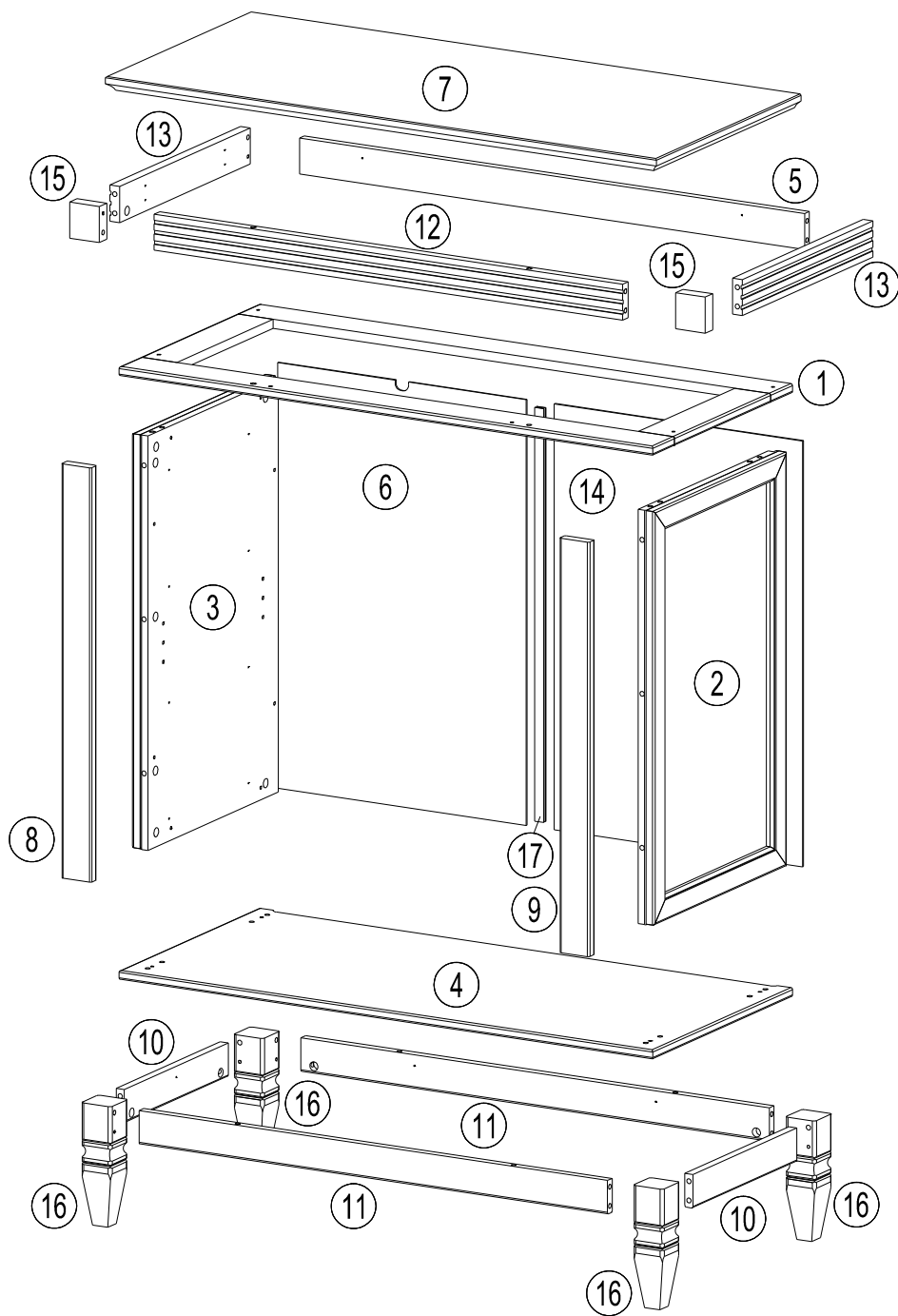







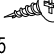

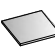

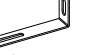


- |           |                                    |           |                                |
|-----------|------------------------------------|-----------|--------------------------------|
| <b>D</b>  | <b>Montageanleitung</b>            | <b>GB</b> | <b>Assembly instructions</b>   |
| <b>FR</b> | <b>Notice de montage</b>           | <b>IT</b> | <b>Istruzioni di montaggio</b> |
| <b>NL</b> | <b>Handleiding voor de montage</b> | <b>PL</b> | <b>Instrukcja montażu</b>      |
| <b>CZ</b> | <b>Montážní návod</b>              | <b>SK</b> | <b>Návod na montáž</b>         |
| <b>HU</b> | <b>Szerelési útmutató</b>          | <b>RO</b> | <b>Instruktluni de montaj</b>  |
| <b>TR</b> | <b>Montaj talimatı</b>             | <b>RU</b> | <b>Инструкция по монтажу</b>   |



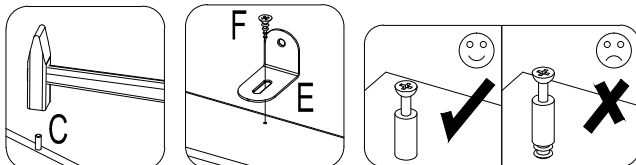
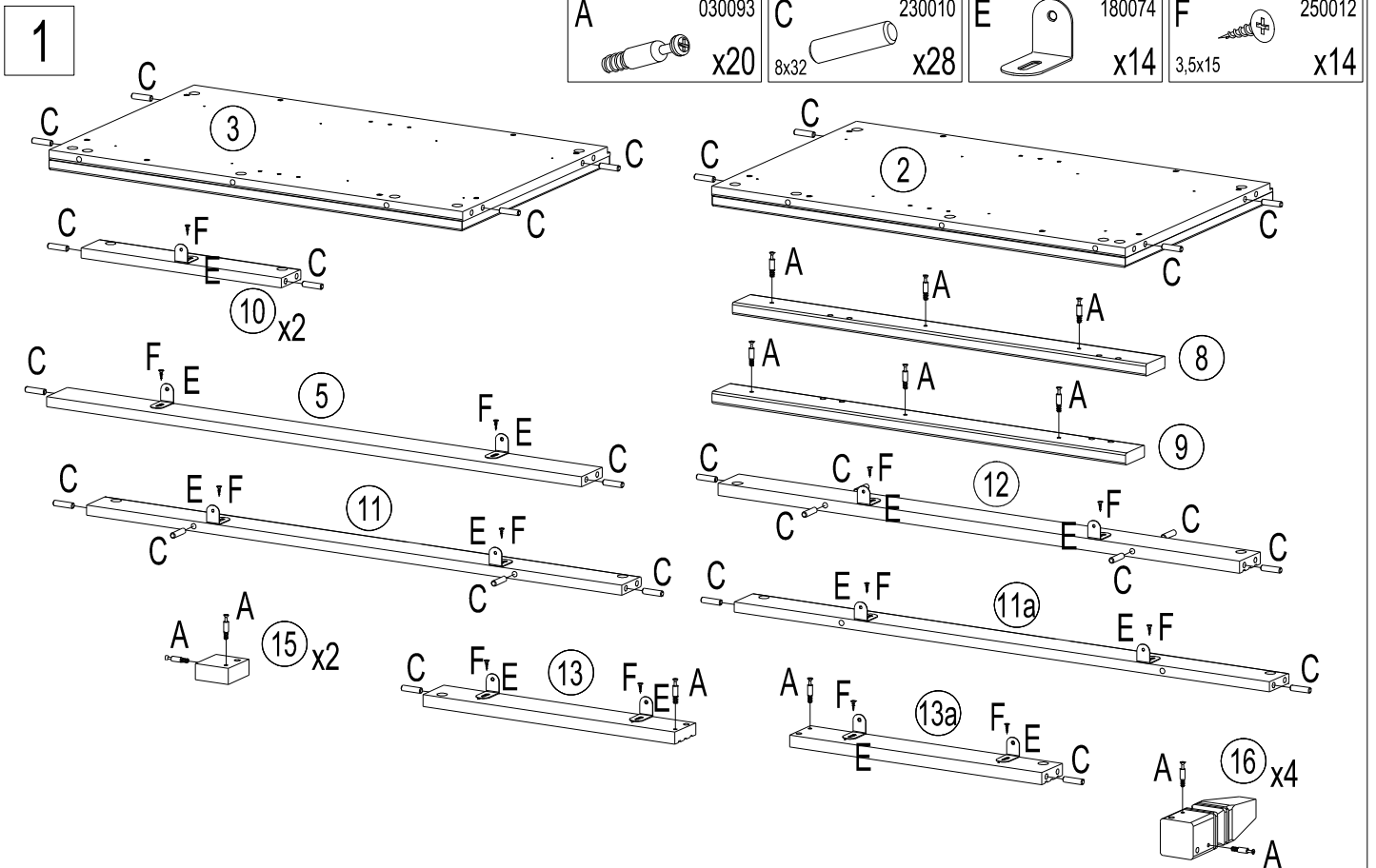
1-6

**EAC**



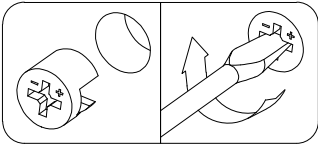
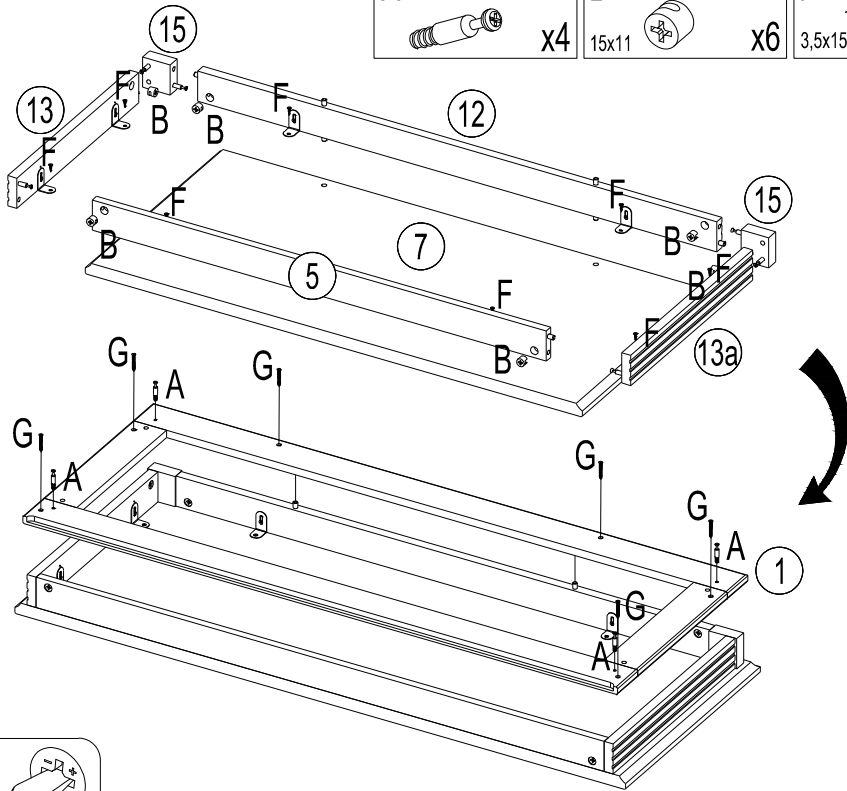
|   |  |   |  |  |   |
|---|--|---|--|--|---|
| <b>A</b><br><br>030093<br><b>x28</b>           | <b>B</b><br><br>030110<br>15x11<br><b>x28</b> | <b>C</b><br><br>230010<br>8x32<br><b>x28</b> | <b>D</b><br><br>220043<br>1,2x20<br><b>x2</b>  | <b>E</b><br><br>180074<br><b>x14</b>          | <b>F</b><br><br>250012<br>3,5x15<br><b>x28</b> |
| <b>G</b><br><br>250024<br>3,5x35<br><b>x10</b> | <b>H</b><br><br>070017<br>30x30<br><b>x4</b>  | <b>I</b><br><br>090004<br>8x40<br><b>x1</b>  | <b>J</b><br><br>180080<br>76x31x15<br><b>x1</b> | <b>K</b><br><br>250012<br>3,5x15<br><b>x1</b> | <b>L</b><br><br>250044<br>4x40<br><b>x1</b>    |

| No | Size/MaB (mm) | Qty | ✓ | No | Size/MaB (mm) | Qty | ✓ |
|----|---------------|-----|---|----|---------------|-----|---|
| 1  | 990x449x15    | 1   |   | 9  | 689x55x18     | 1   |   |
| 2  | 689x426x30    | 1   |   | 10 | 334x56x15     | 2   |   |
| 3  | 689x426x30    | 1   |   | 11 | 869x56x15     | 2   |   |
| 4  | 990x449x15    | 1   |   | 12 | 869x60x18     | 1   |   |
| 5  | 937x60x15     | 1   |   | 13 | 420x60x18     | 2   |   |
| 6  | 706x461x3     | 1   |   | 14 | 706x461x3     | 1   |   |
| 7  | 1022x465x24   | 1   |   | 15 | 55x60x24      | 2   |   |
| 8  | 689x55x18     | 1   |   | 16 | 205x55x55     | 4   |   |
|    |               |     |   | 17 | 688x17x7      | 1   |   |



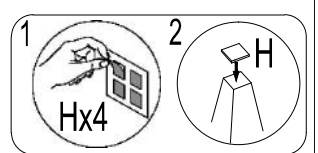
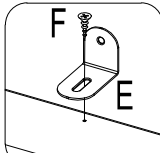
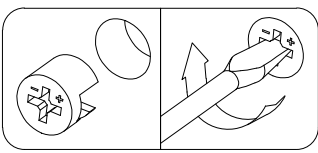
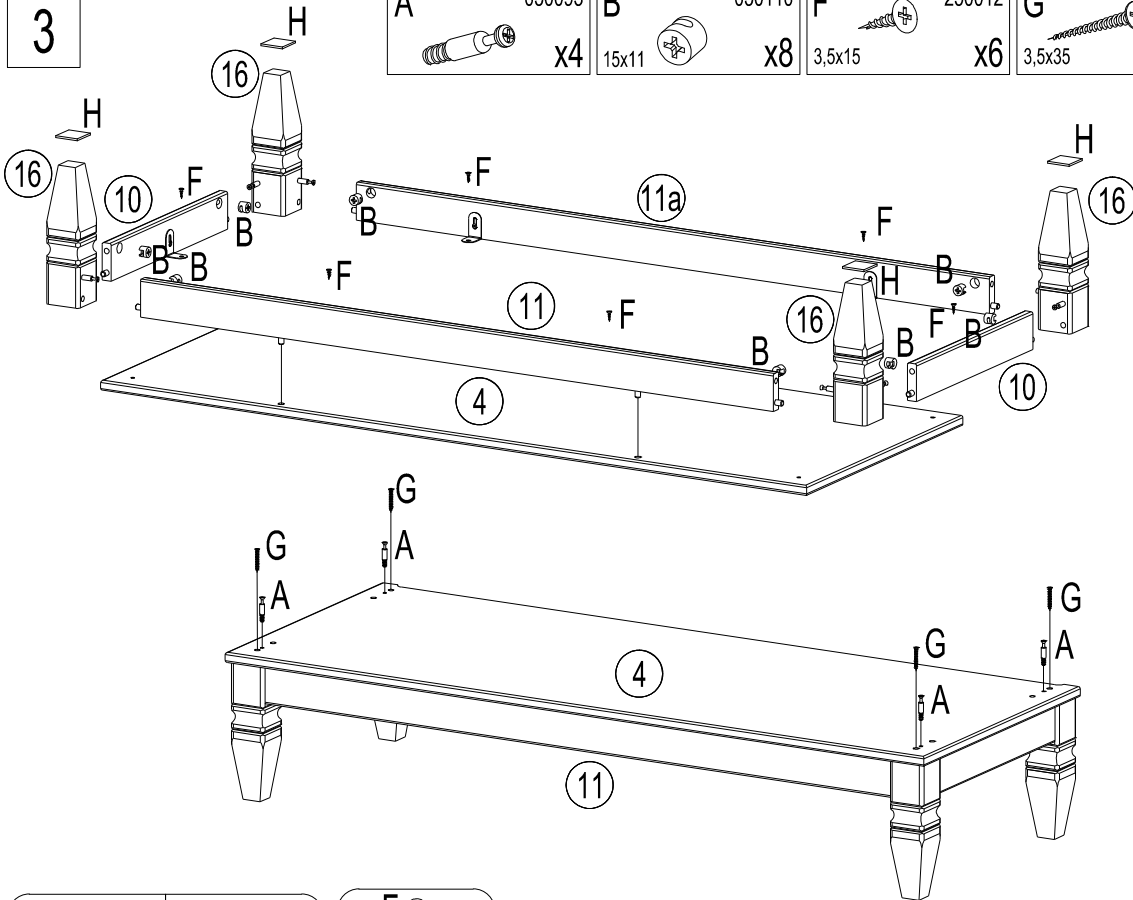
2

|          |        |          |        |          |        |          |        |
|----------|--------|----------|--------|----------|--------|----------|--------|
| <b>A</b> | 030093 | <b>B</b> | 030110 | <b>F</b> | 250012 | <b>G</b> | 250024 |
|          | x4     |          | x6     |          | x8     |          | x6     |
|          |        |          | 15x11  |          | 3,5x15 |          | 3,5x35 |




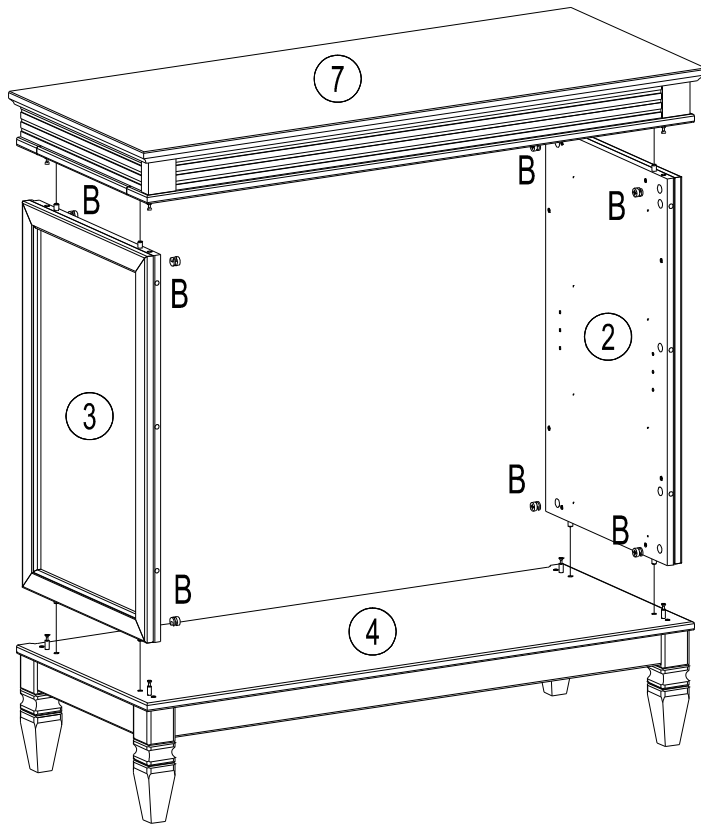
3

|          |        |          |        |          |        |          |        |          |        |
|----------|--------|----------|--------|----------|--------|----------|--------|----------|--------|
| <b>A</b> | 030093 | <b>B</b> | 030110 | <b>F</b> | 250012 | <b>G</b> | 250024 | <b>H</b> | 070017 |
|          | x4     |          | x8     |          | x6     |          | x4     |          | 30x30  |
|          |        |          | 15x11  |          | 3,5x15 |          | 3,5x35 |          | x4     |




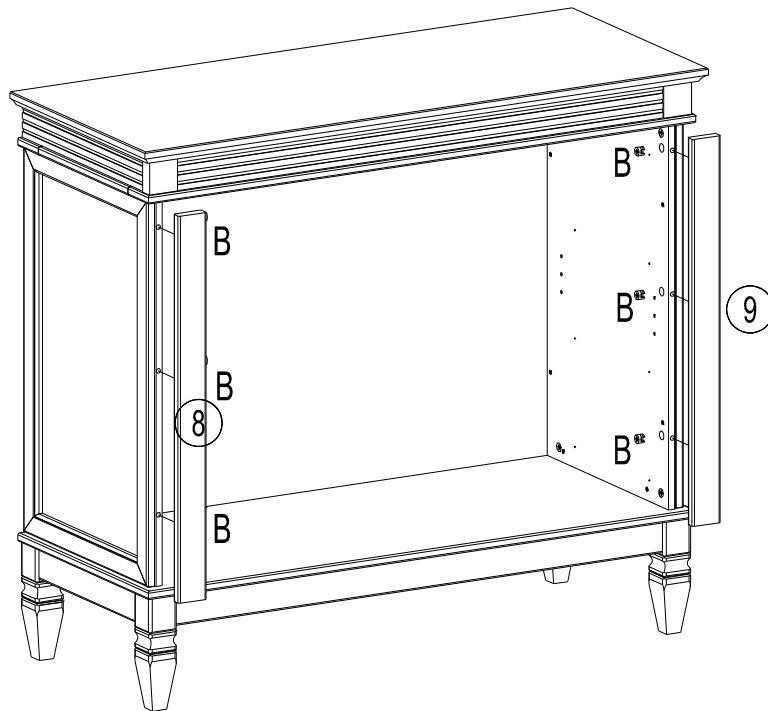
4

B 030110  
15x11  x8



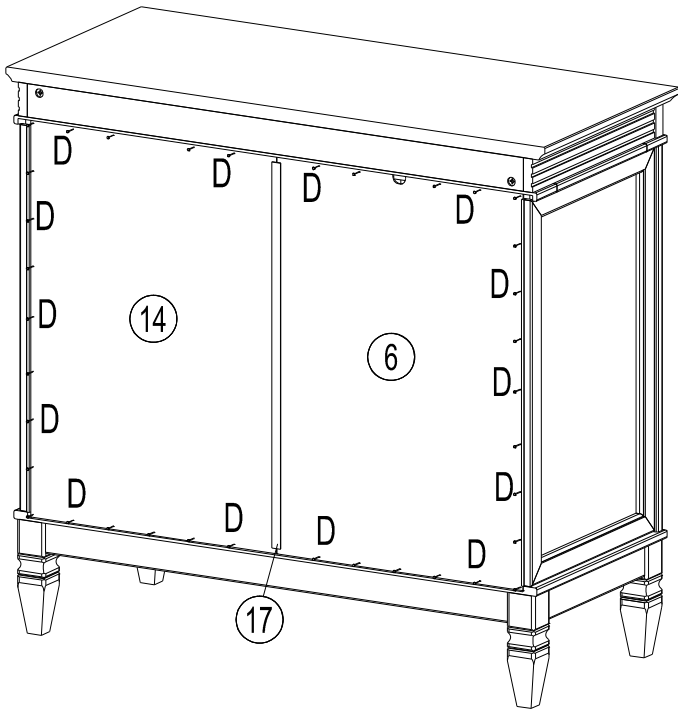
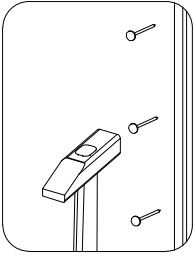
5

B 030110  
15x11  x6



6

D 220043  
1,2x20 x2



7

I 090004  
8x40 x1

J 180080  
76x31x15 x1

K 250012  
3,5x15 x1

L 250044  
4x40 x1

