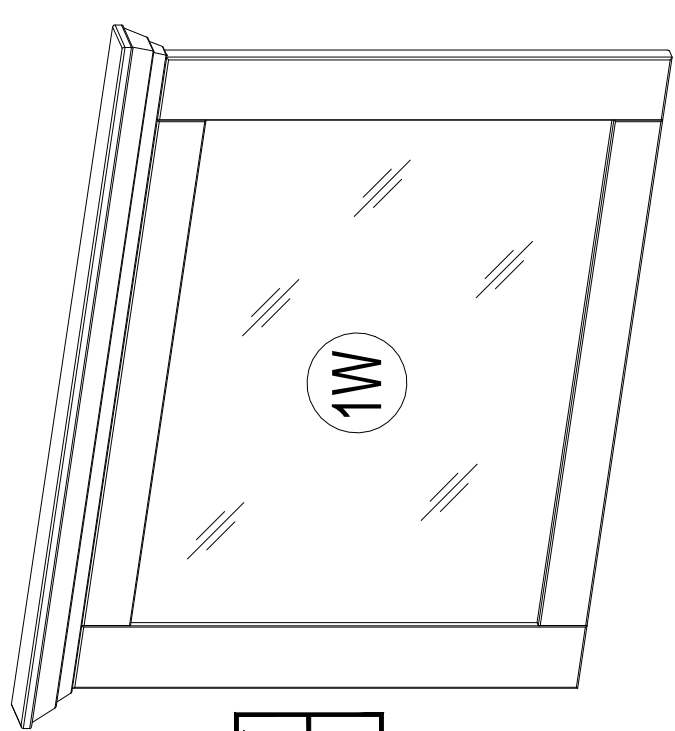






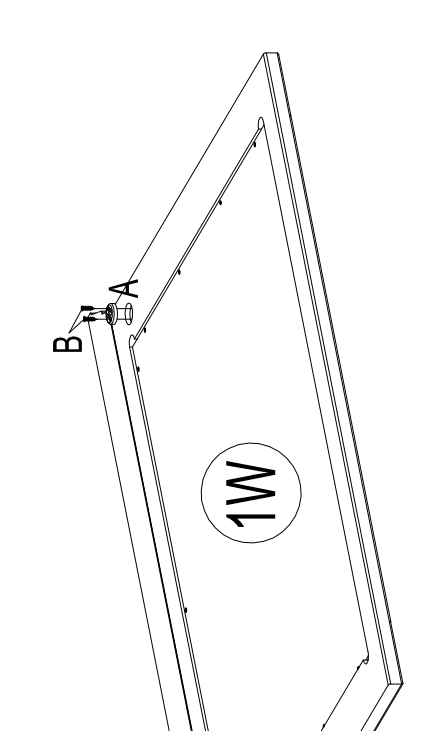
30 min



1-2

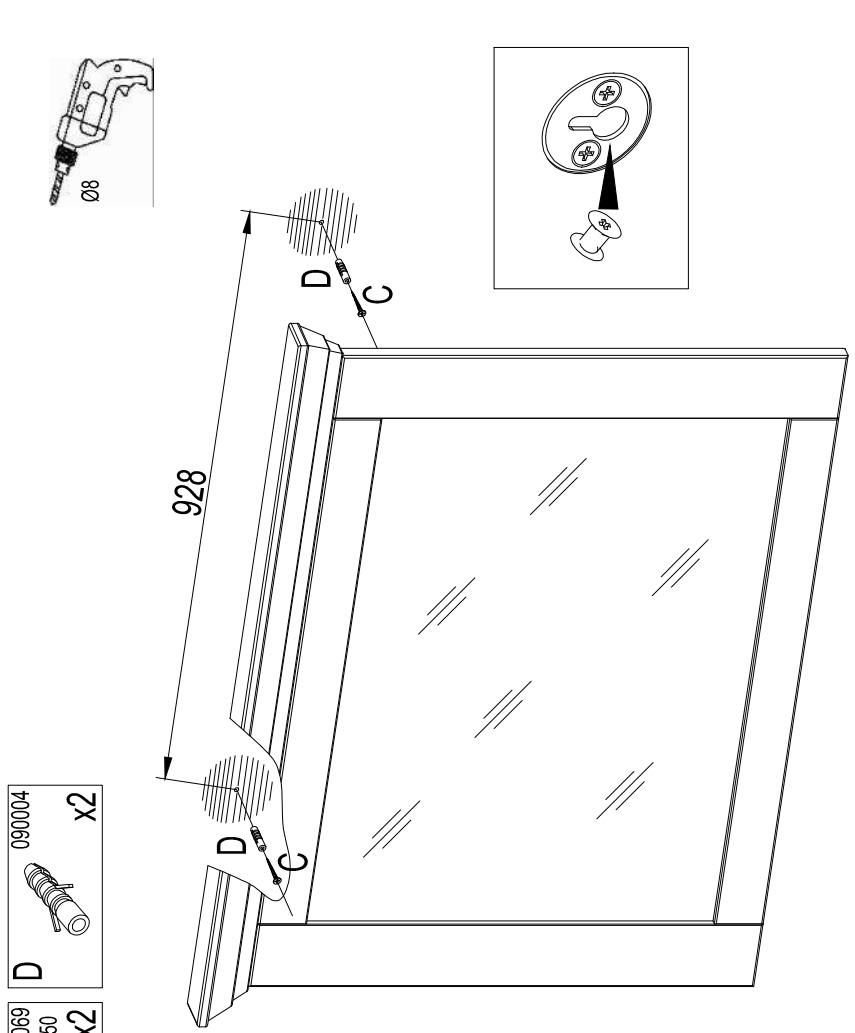
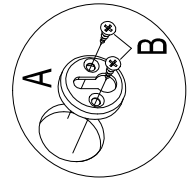




| | | |
|----------|-------------------------------------------------------------------------------------|------------------------|
| A |  | 150003 x2 |
| B |  | 250016 3.5x20 x4 |
| C |  | 250069 5x50 x2 |
| D |  | 090004 x2 |

| No | Size/MaB (mm) | Qty | ✓ |
|----|---------------|-----|---|
| 1W | 1086x800x62 | 1 | |



| | | | |
|----------|----------|-------------------------------------------------------------------------------------|------------------------|
| 1 | A |  | 150003 x2 |
| | B |  | 250016 3.5x20 x4 |



| | | | |
|----------|----------|---------------------------------------------------------------------------------------|----------------------|
| 2 | C |  | 250069 5x50 x2 |
| | D |  | 090004 x2 |

