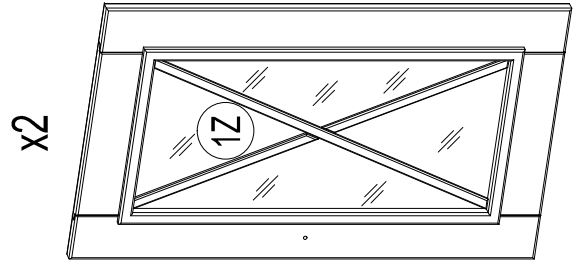
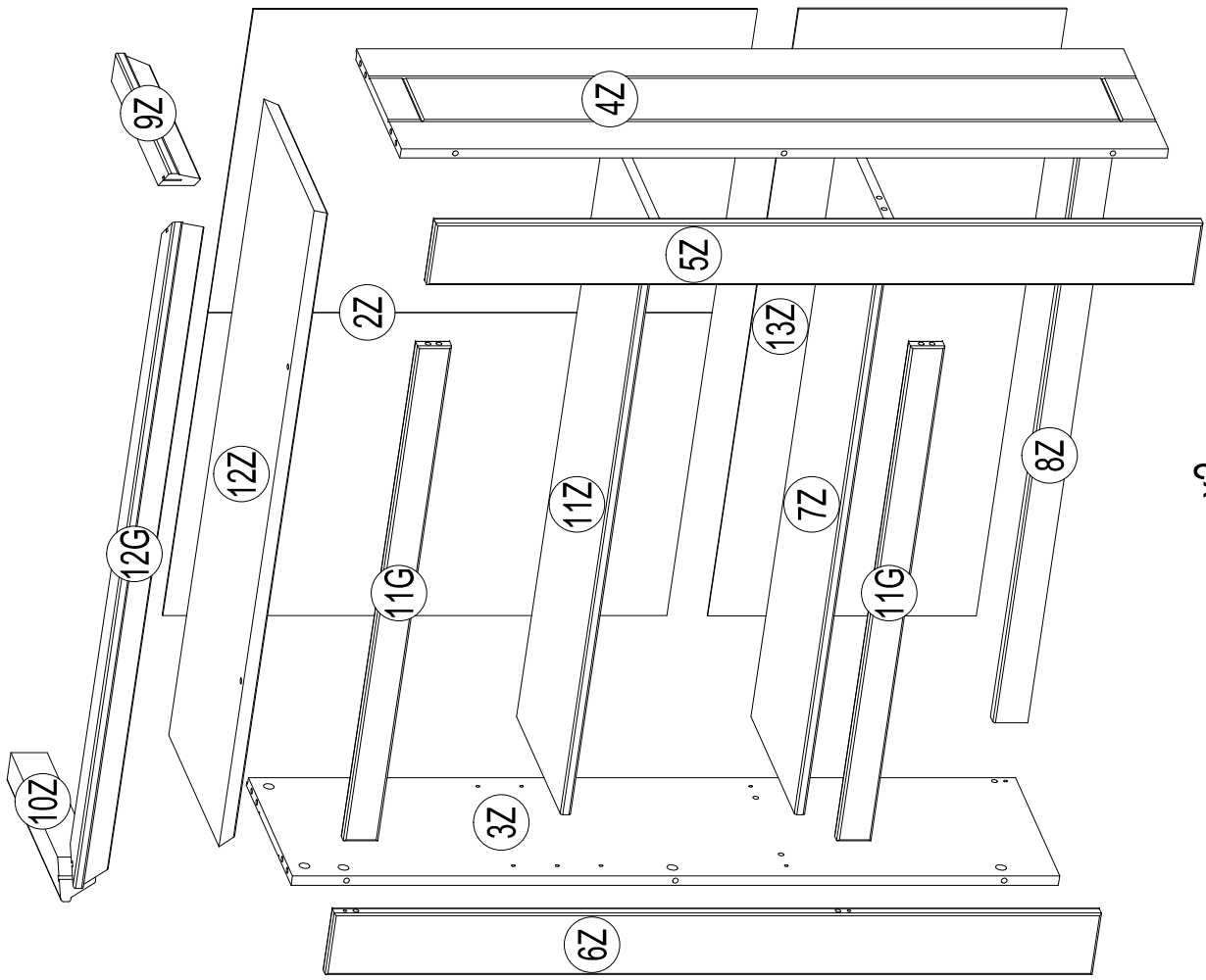


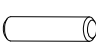





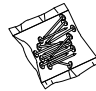
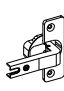
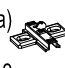
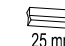
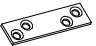






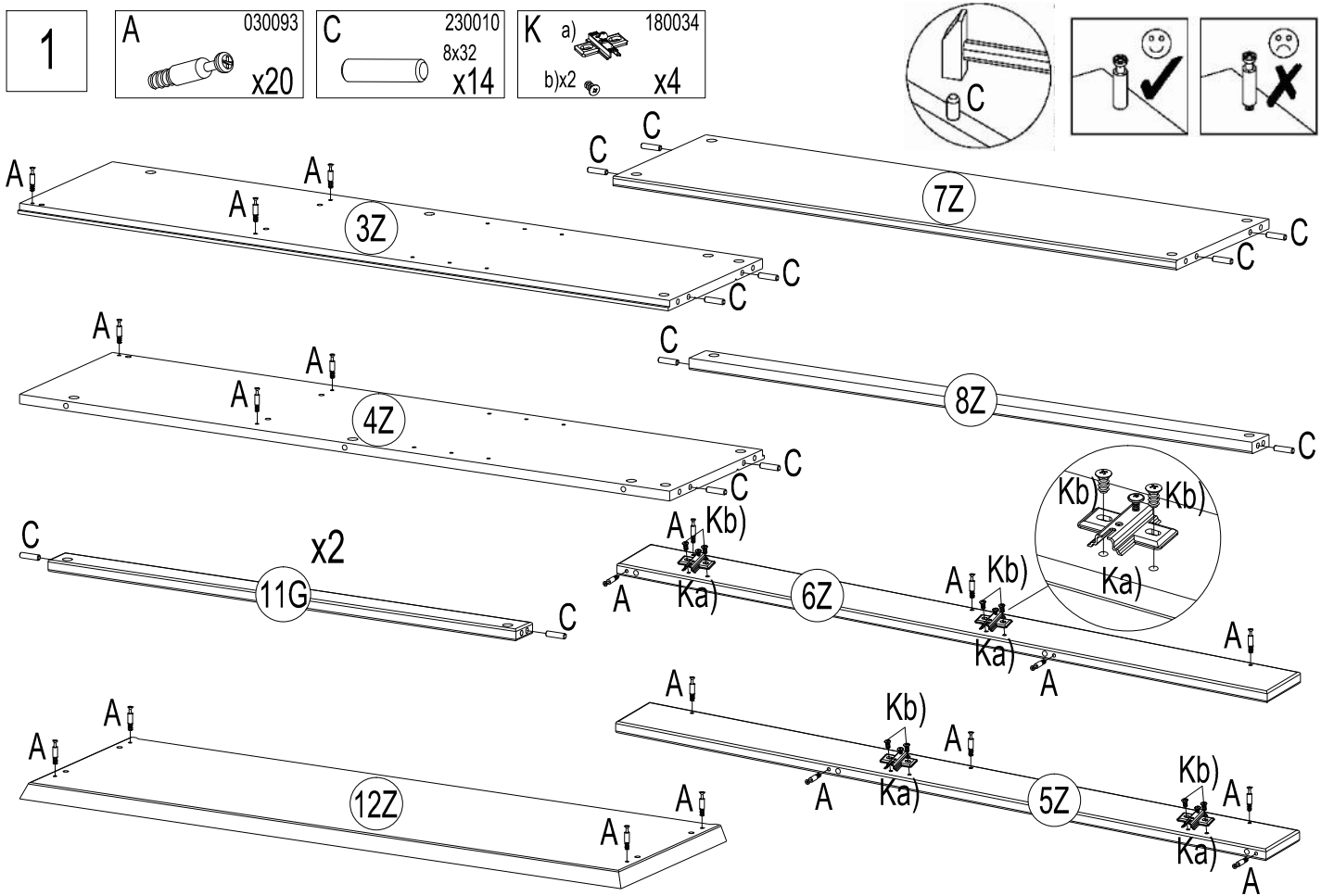
90 min

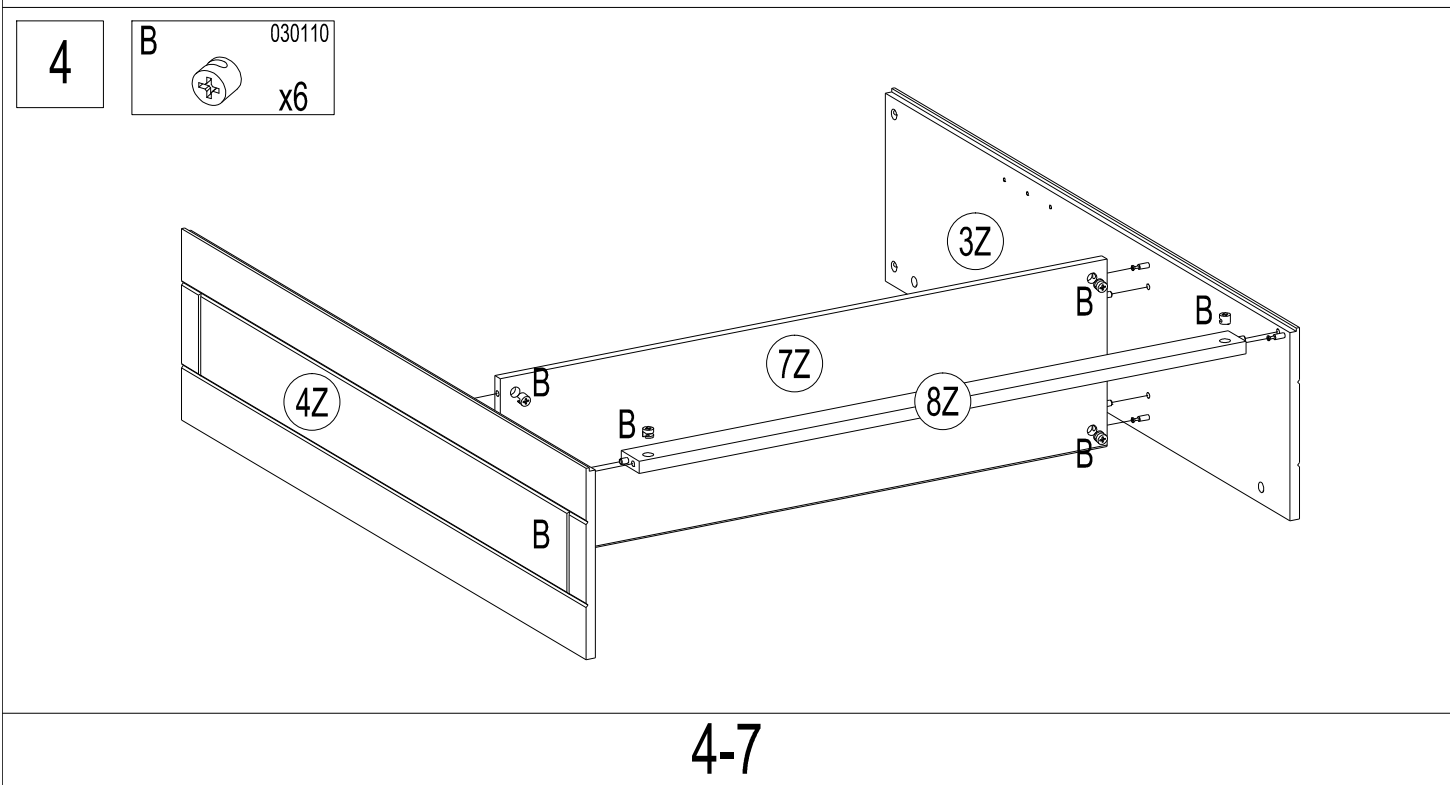
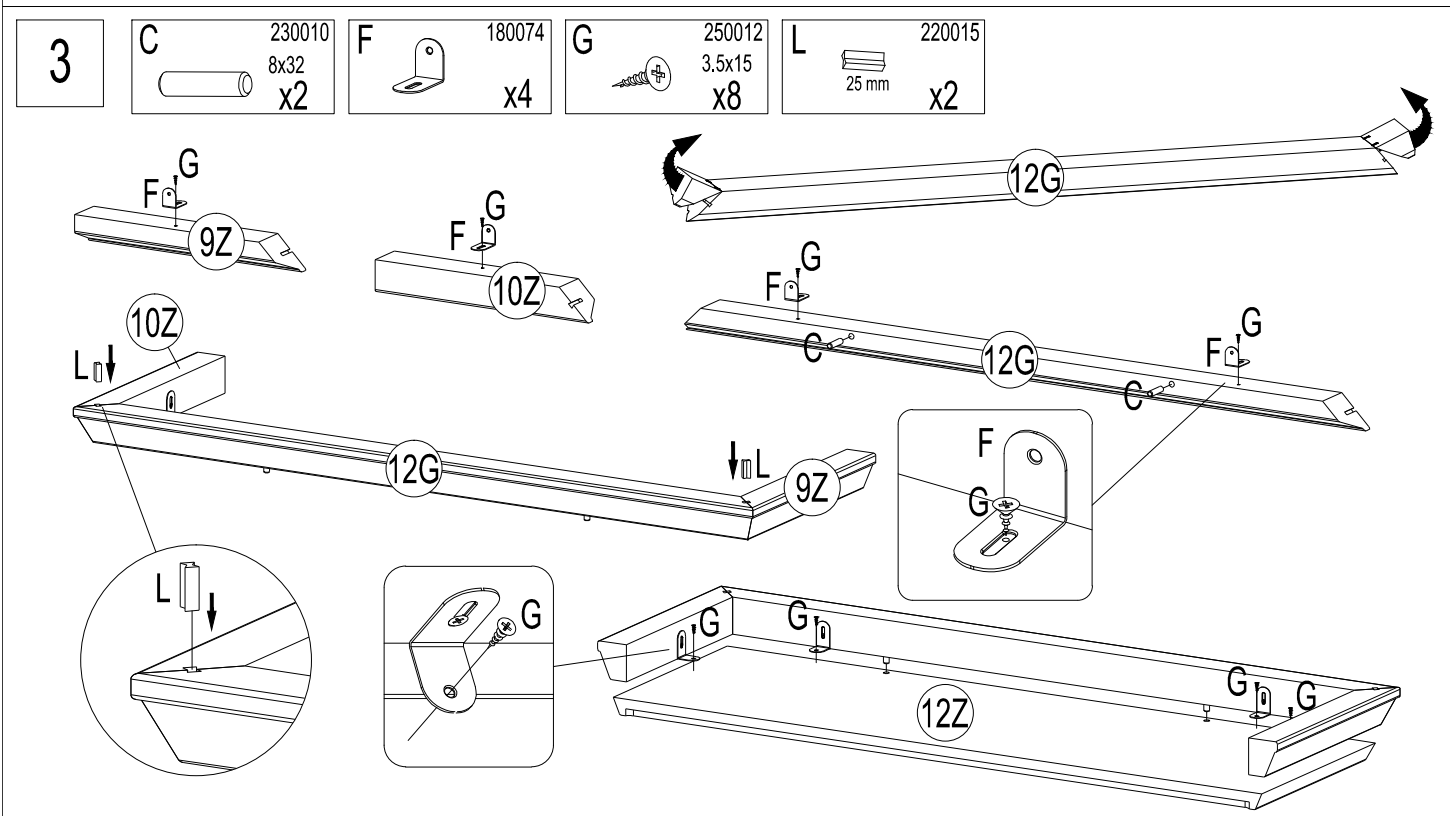
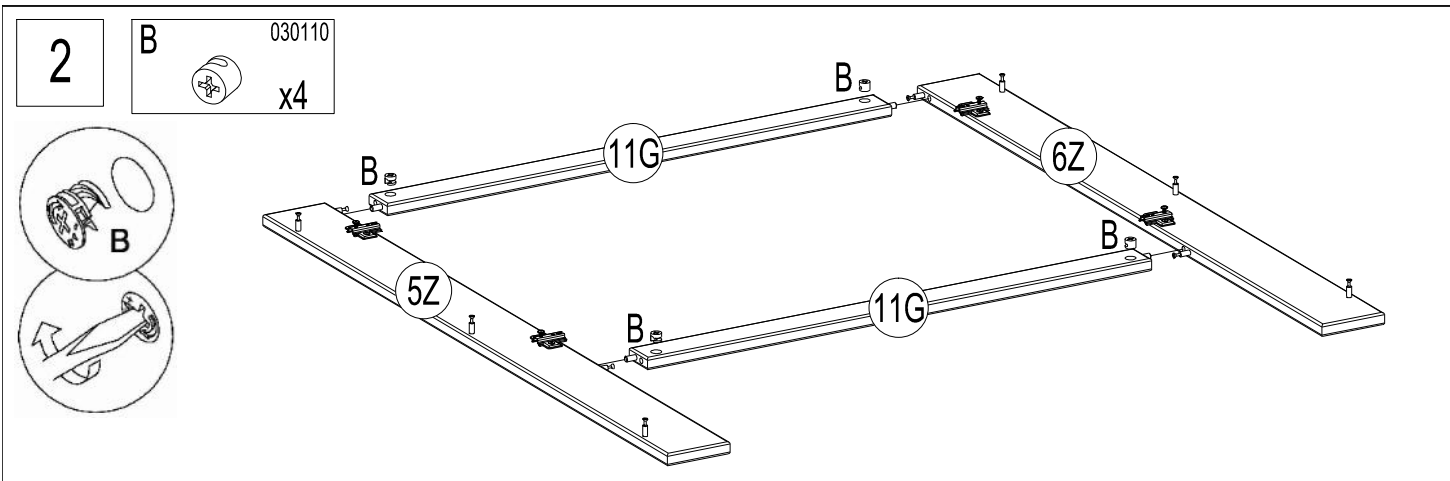
ERC



A 030093  x20	B 030110  x20	C 230010 8x32 x16 	D 190009  x4	E 210020  x2	F 180074  x4
G 250012 3.5x15 x24 	H 030052 M4x22 x2 	I 220043 1.2x20 x2 	J 180056  x4	K a) 180034 b)x2 x4 	L 220015 25 mm x2 
M 180017  x2	N 090001 8x50 x2 	O 180080  x2	P 250012 3.5x15 x2 	Q 250069 5x50 x2 	

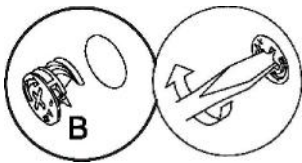
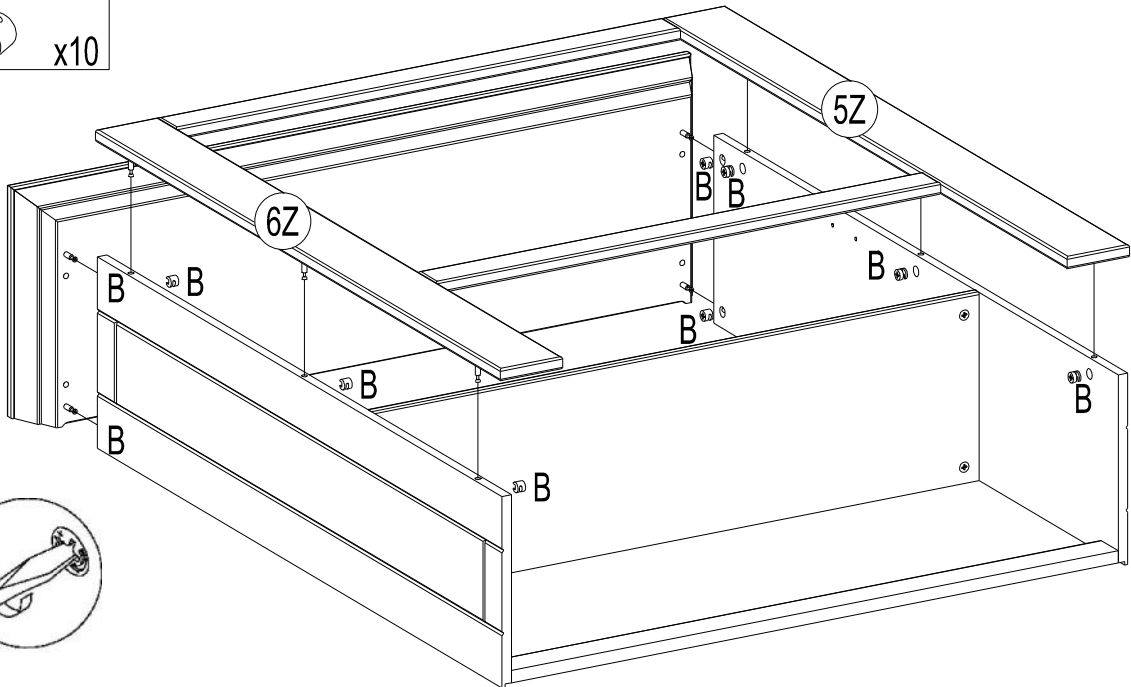
No	Size/MaB (mm)	Qty	✓	No	Size/MaB (mm)	Qty	✓
1Z	666x400x18	2		9Z	340x53x46	1	
2Z	736x986x3	1		10Z	340x53x46	1	
3Z	1120x282x15	1		11Z	970x277x15	1	
4Z	1120x282x15	1		12Z	1036x315x24	1	
5Z	1120x100x18	1		13Z	989x392x3	1	
6Z	1120x100x18	1		11G	806x50x18	2	
7Z	970x277x15	1		12G	1086x53x46	1	
8Z	970x50x18	1					





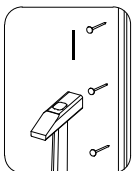
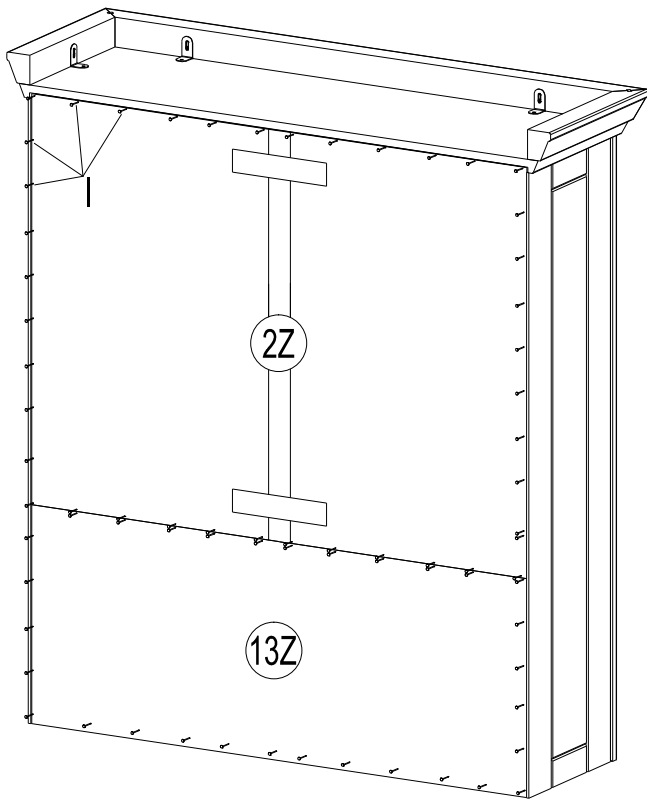
5

B 030110
x10



6

I 220043
1.2x20
x2



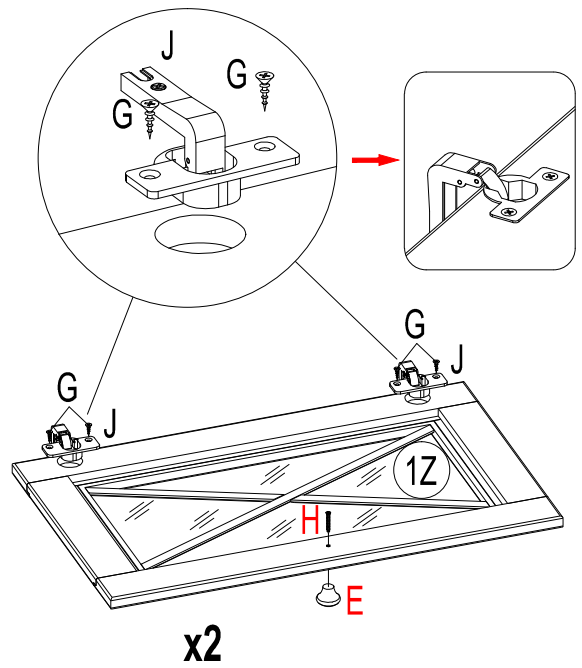
7

E 210020
x2

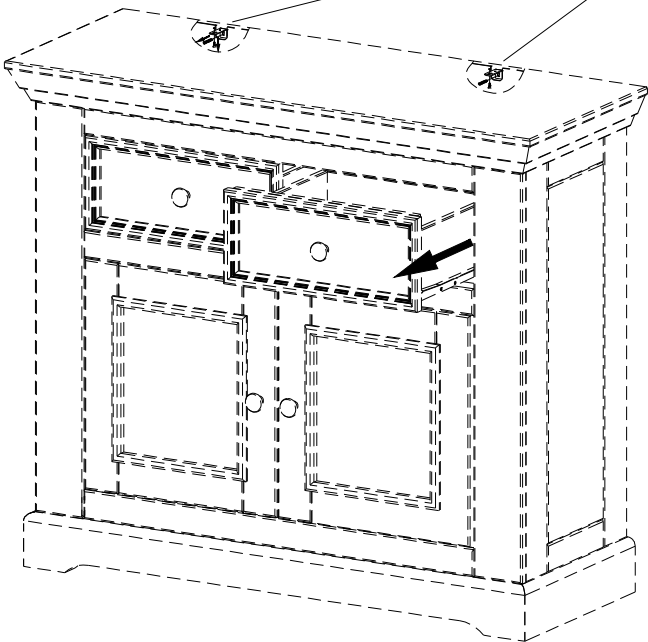
G 250012
3.5x15
x8

H 030052
M4x22
x2

J 180056
x4



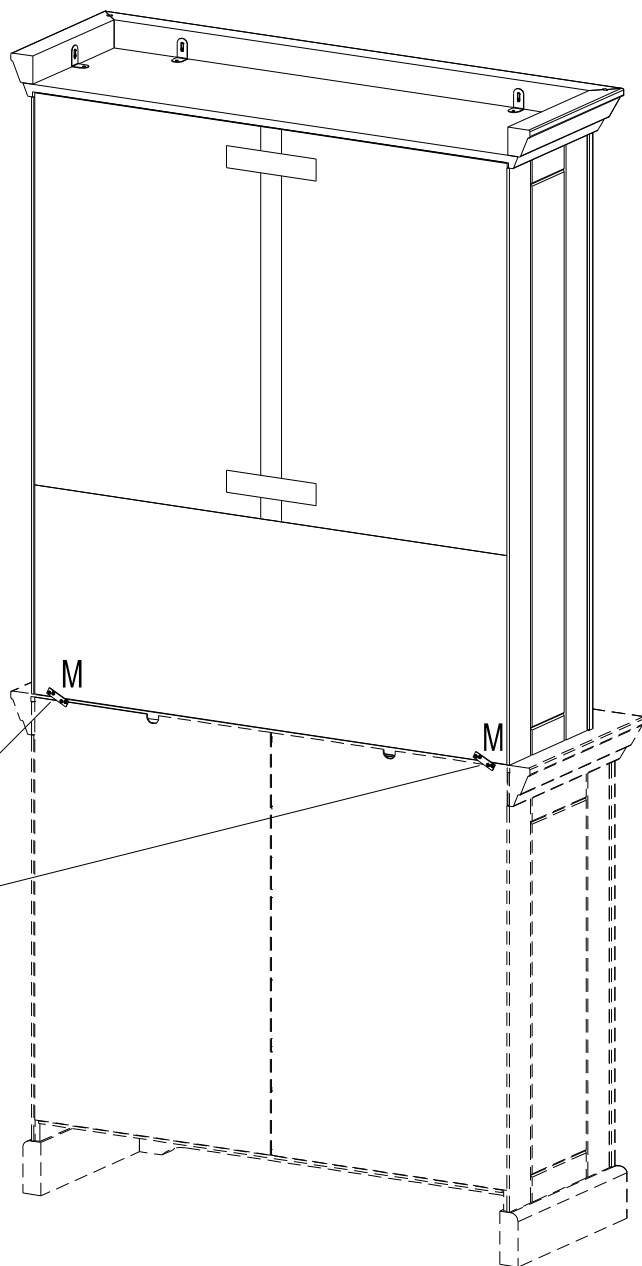
8



9

G 250012
3.5x15
x8

M 180017
x2



10

