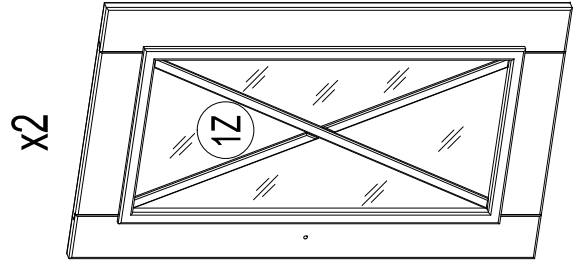
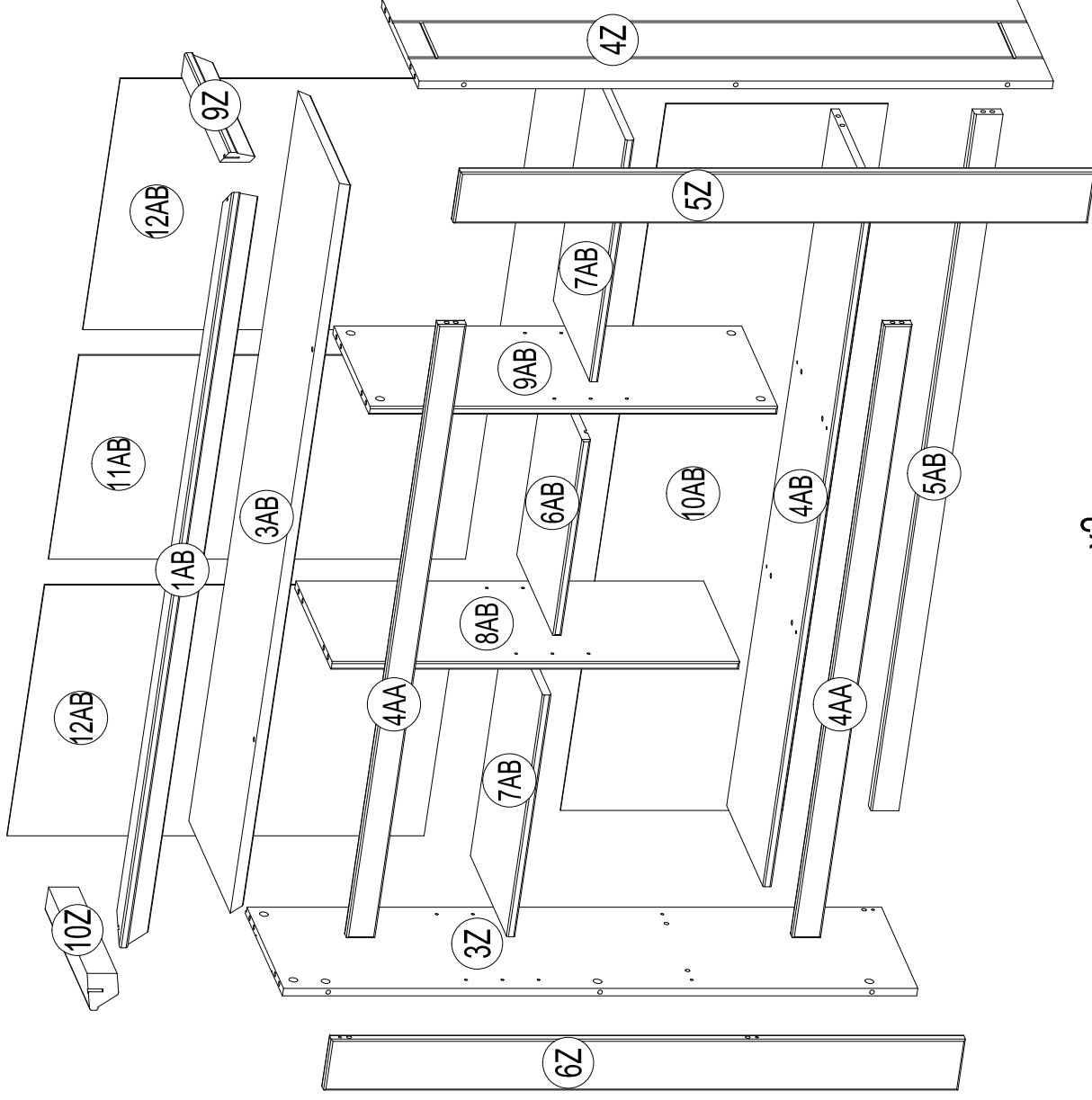








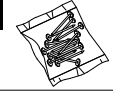

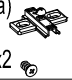
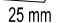
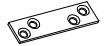







90 min

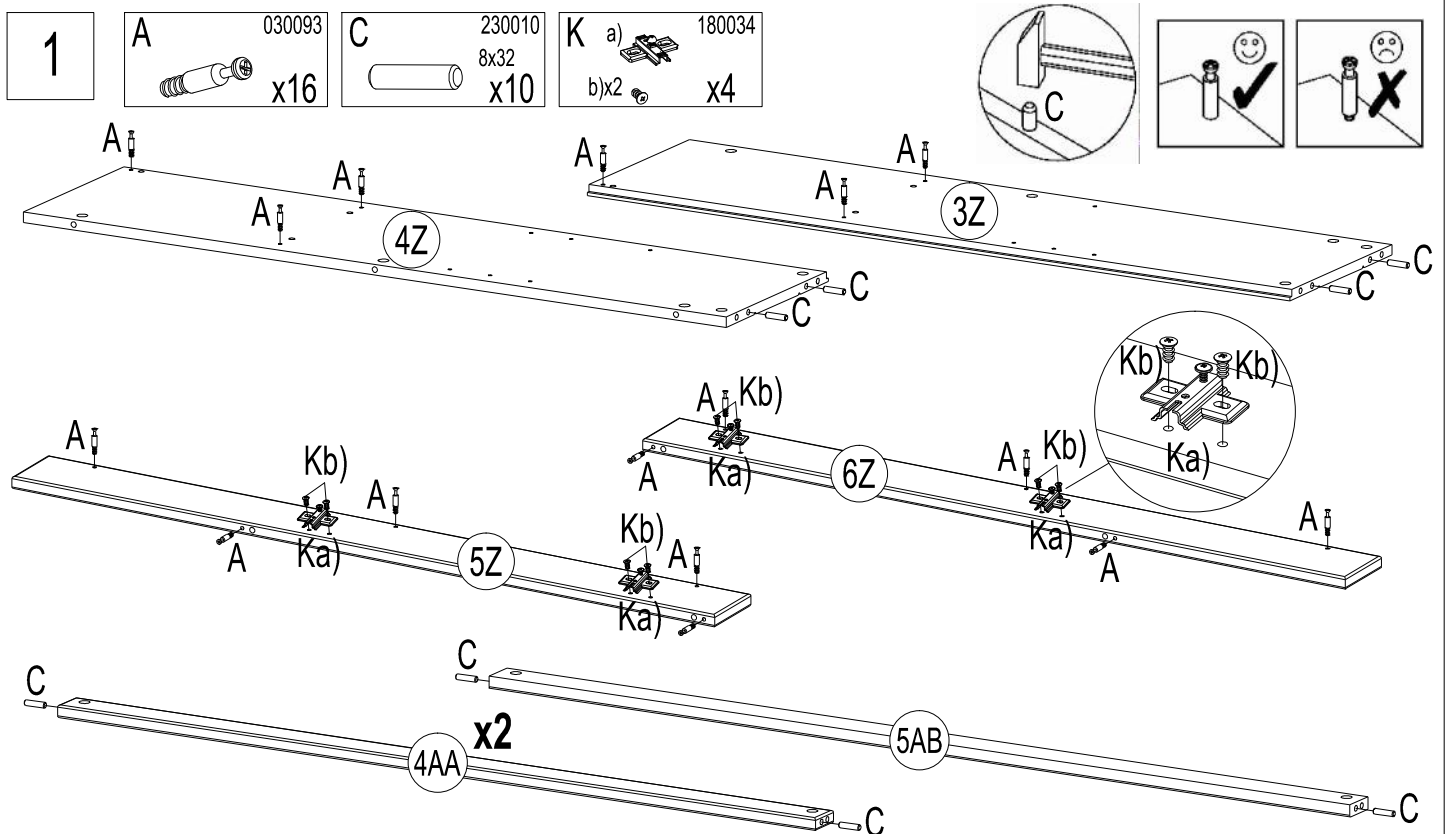
EAC

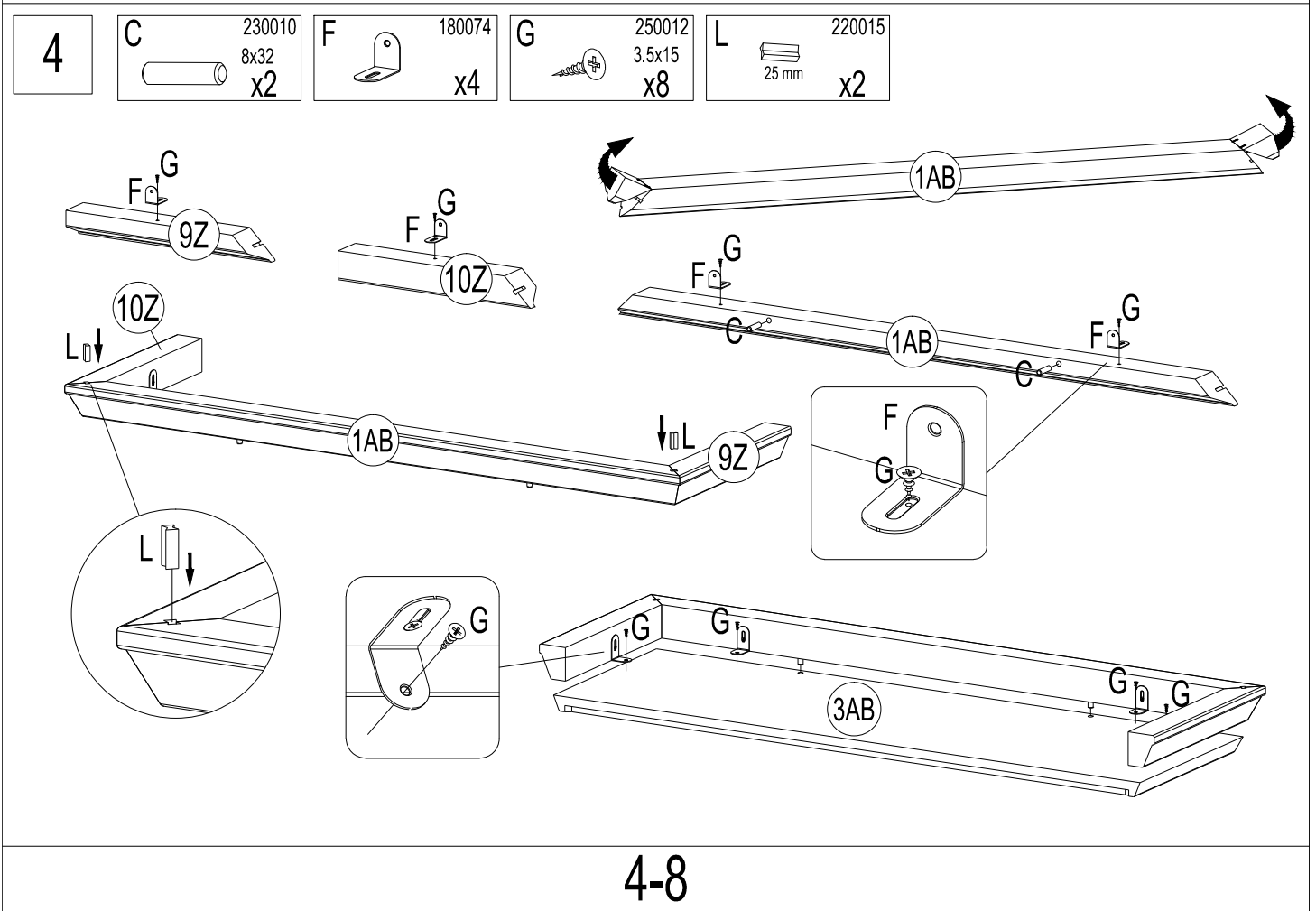
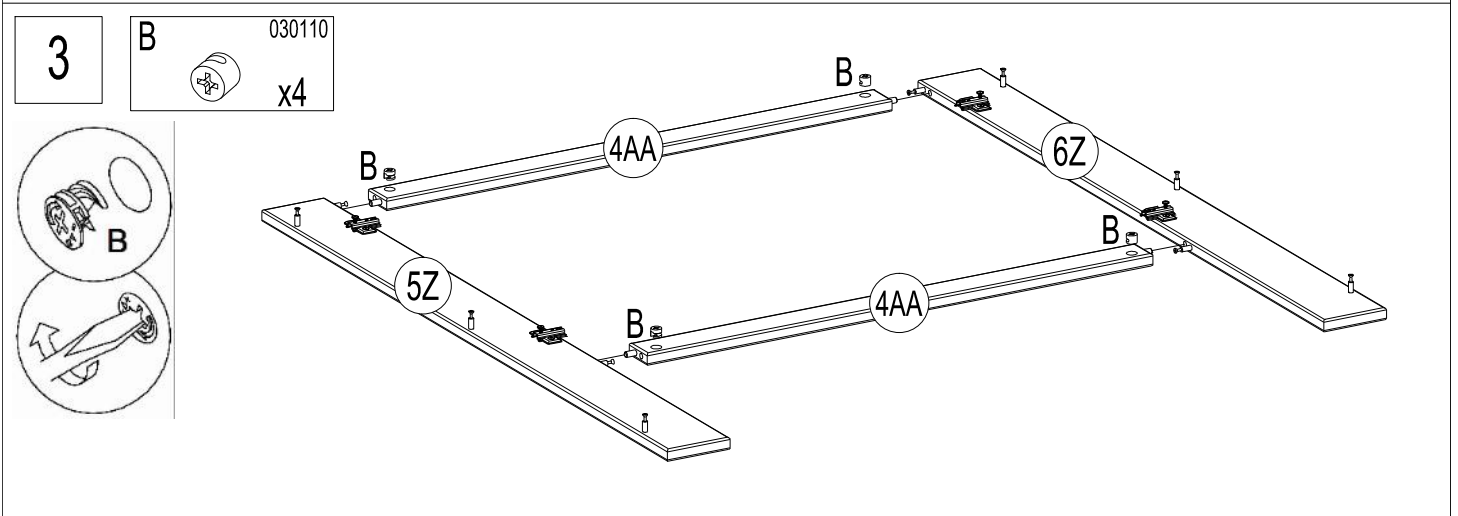
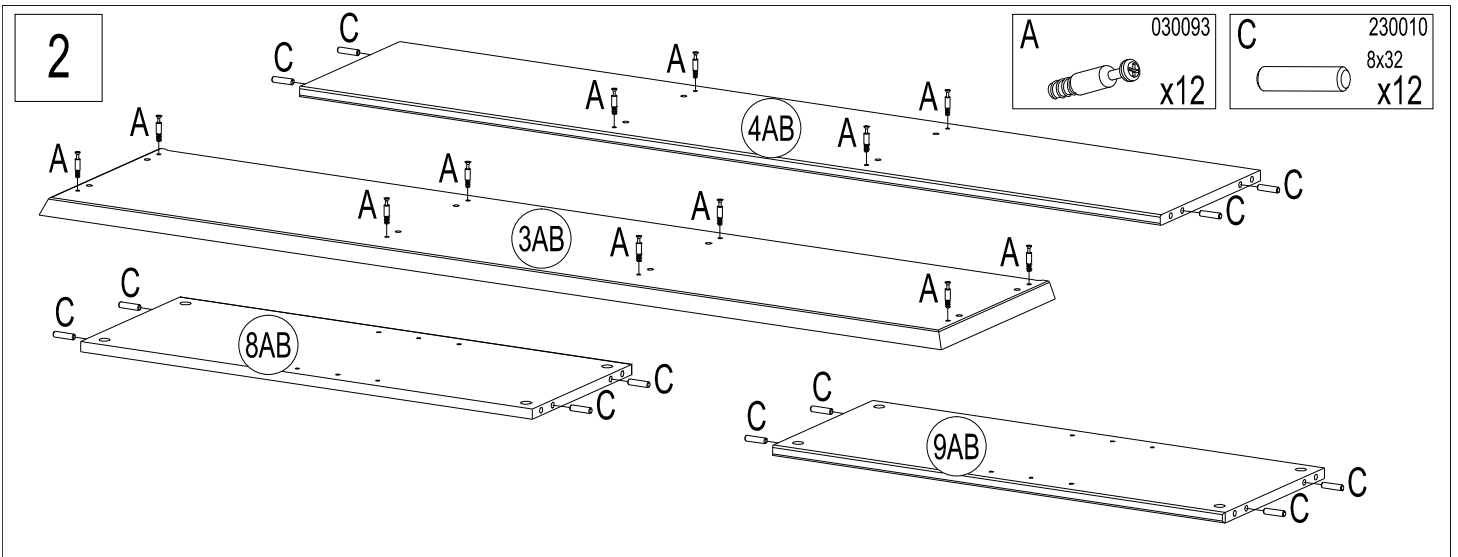
1-8



A 030093  x28	B 030110  x28	C 230010 8x32  x24	D 190009  x8	E 210020  x2	F 180074  x6
G 250012 3.5x15  x28	H 030052 M4x22  x2	I 220043 1.2x20  x3	J 180056  x4	K a) 180034 b)x2  x4	L 220015 25 mm  x2
M 180017  x2	N 090001 8x50  x2	O 180080  x2	P 250012 3.5x15  x2	Q 250069 5x50  x2	R 190002  x4

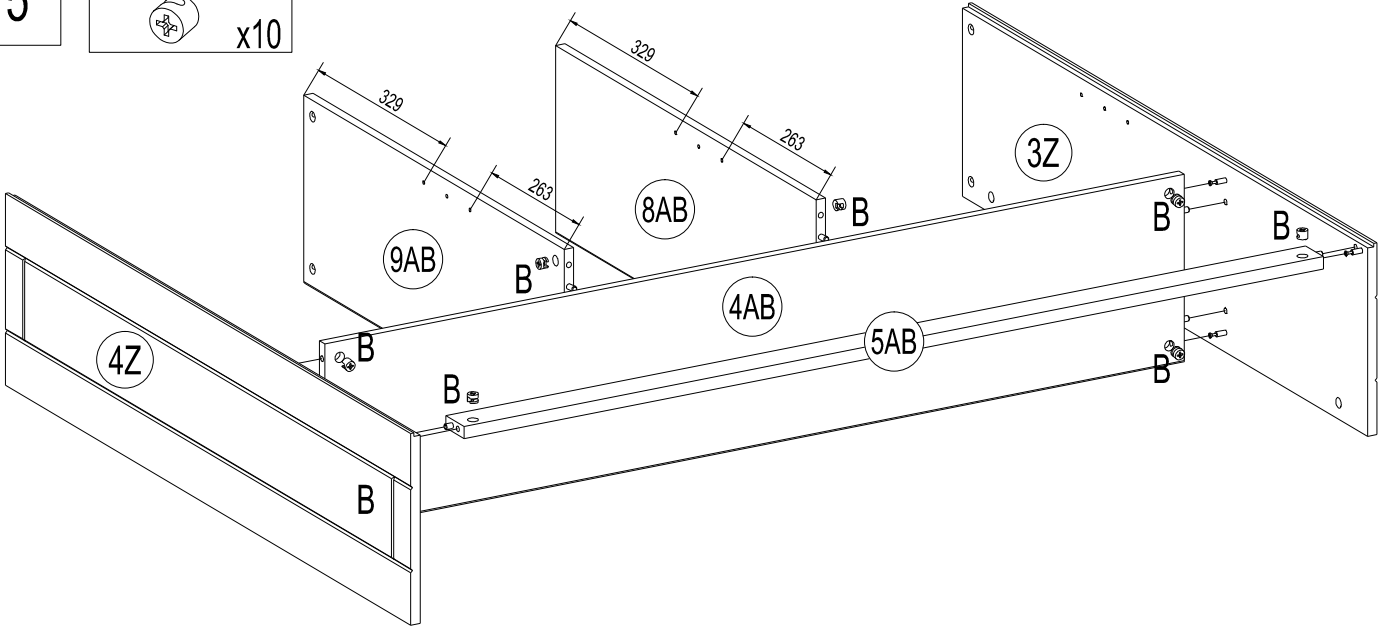
No	Size/MaB (mm)	Qty	✓	No	Size/MaB (mm)	Qty	✓
1AB	1488x53x46	1		12AB	736x493x3	2	
3AB	1438x315x24	1		1Z	666x400x18	2	
4AB	1372x277x15	1		3Z	1120x282x15	1	
5AB	1372x50x18	1		4Z	1120x282x15	1	
6AB	386x277x15	1		5Z	1120x100x18	1	
7AB	476x277x15	2		6Z	1120x100x18	1	
8AB	720x277x15	1		9Z	340x53x46	1	
9AB	720x277x15	1		10Z	340x53x46	1	
10AB	1391x392x3	1		4AA	1208x50x18	2	
11AB	736x401x3	1					





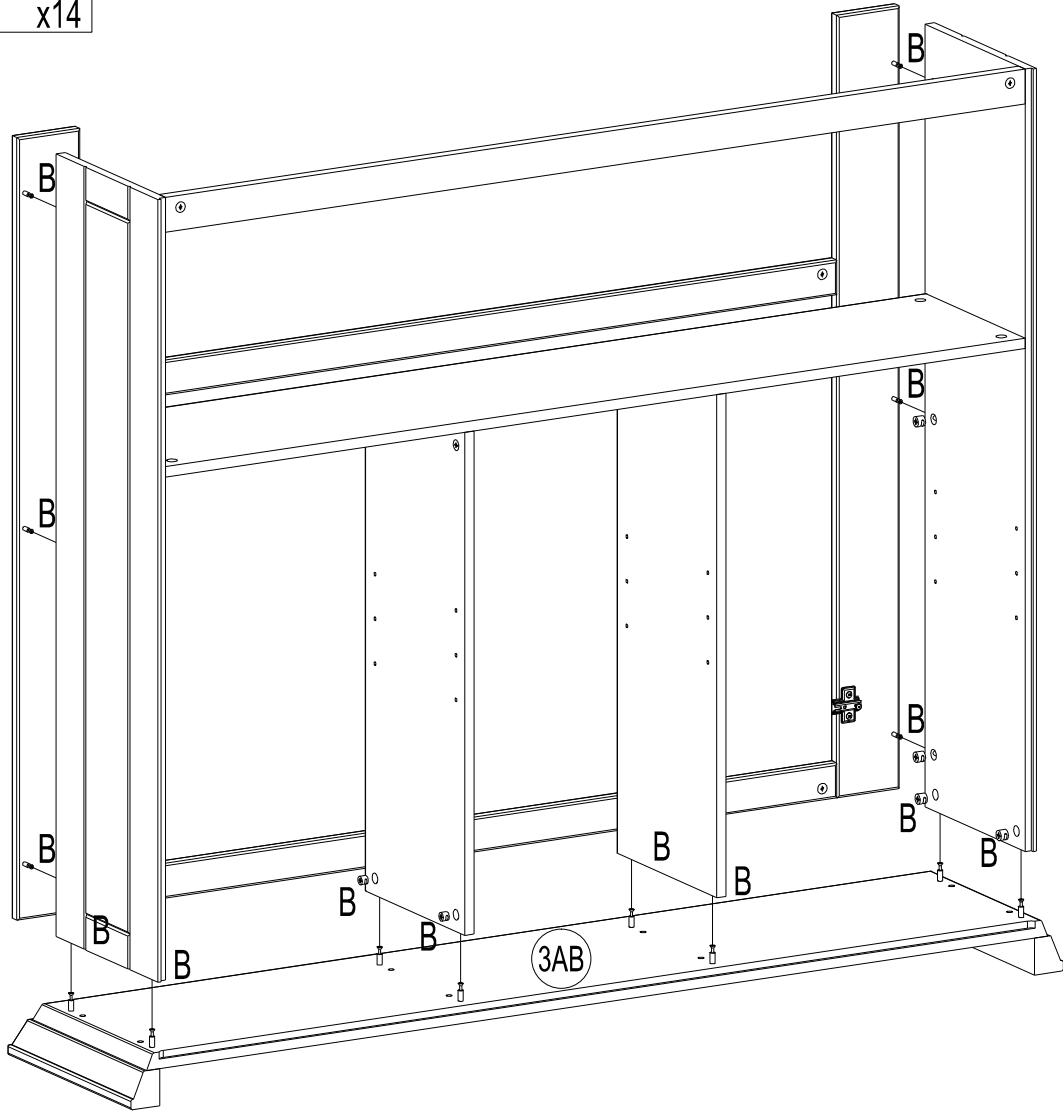
5

B 030110
x10



6

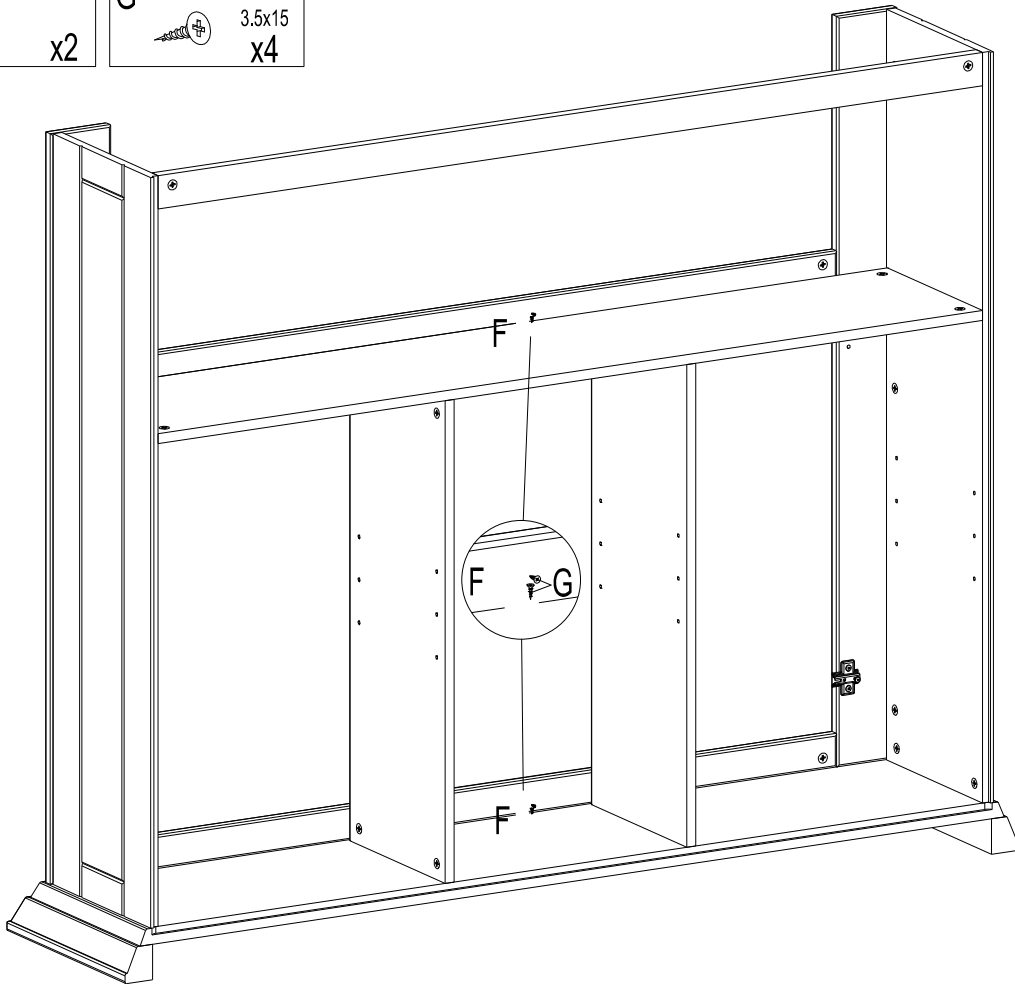
B 030110
x14



7

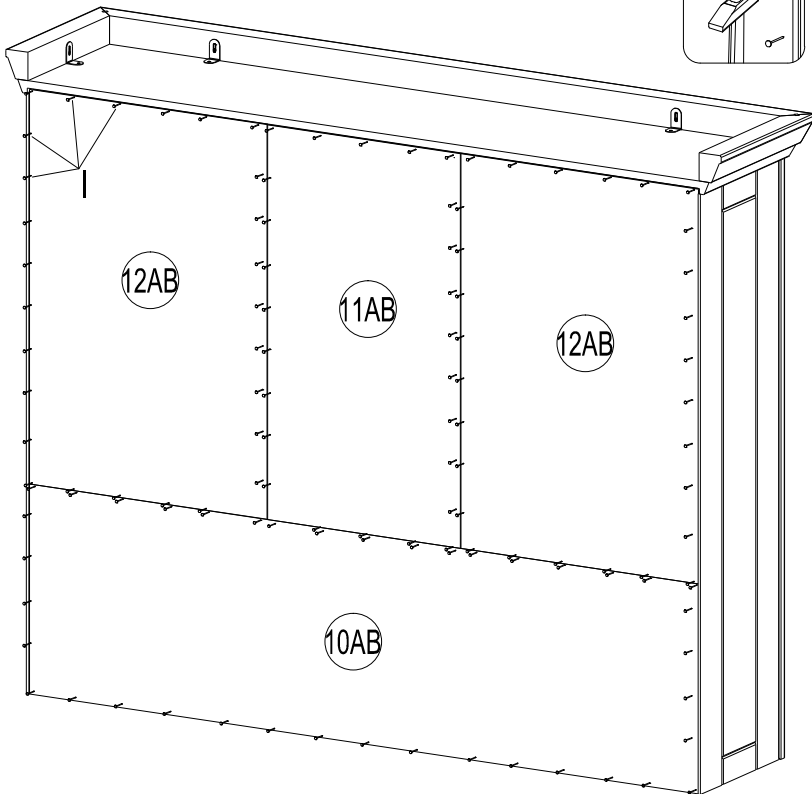
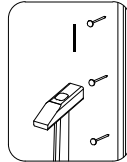
F 180074
x2

G 250012
3.5x15
x4



8

I 220043
1.2x20
x3



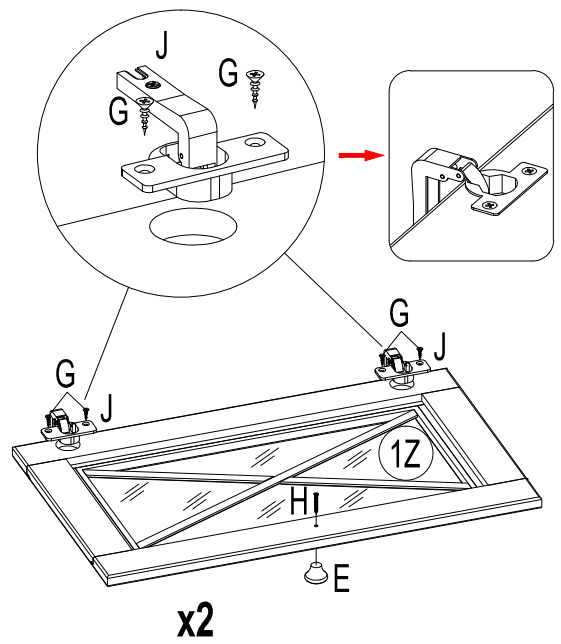
9

E 210020
x2

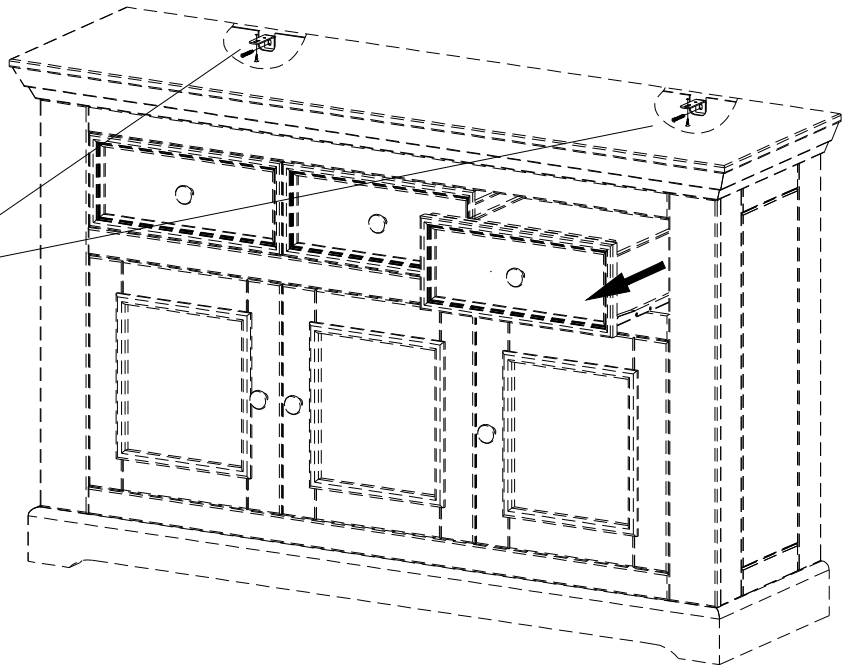
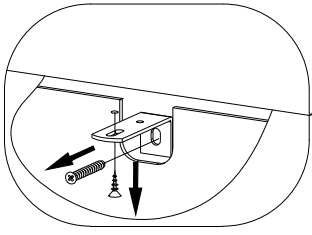
G 250012
3.5x15
x8

H 030052
M4x22
x2

J 180056
x4

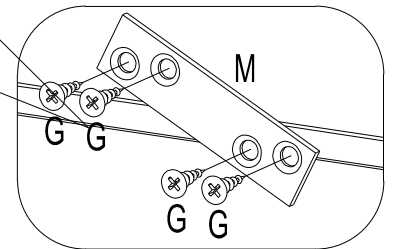
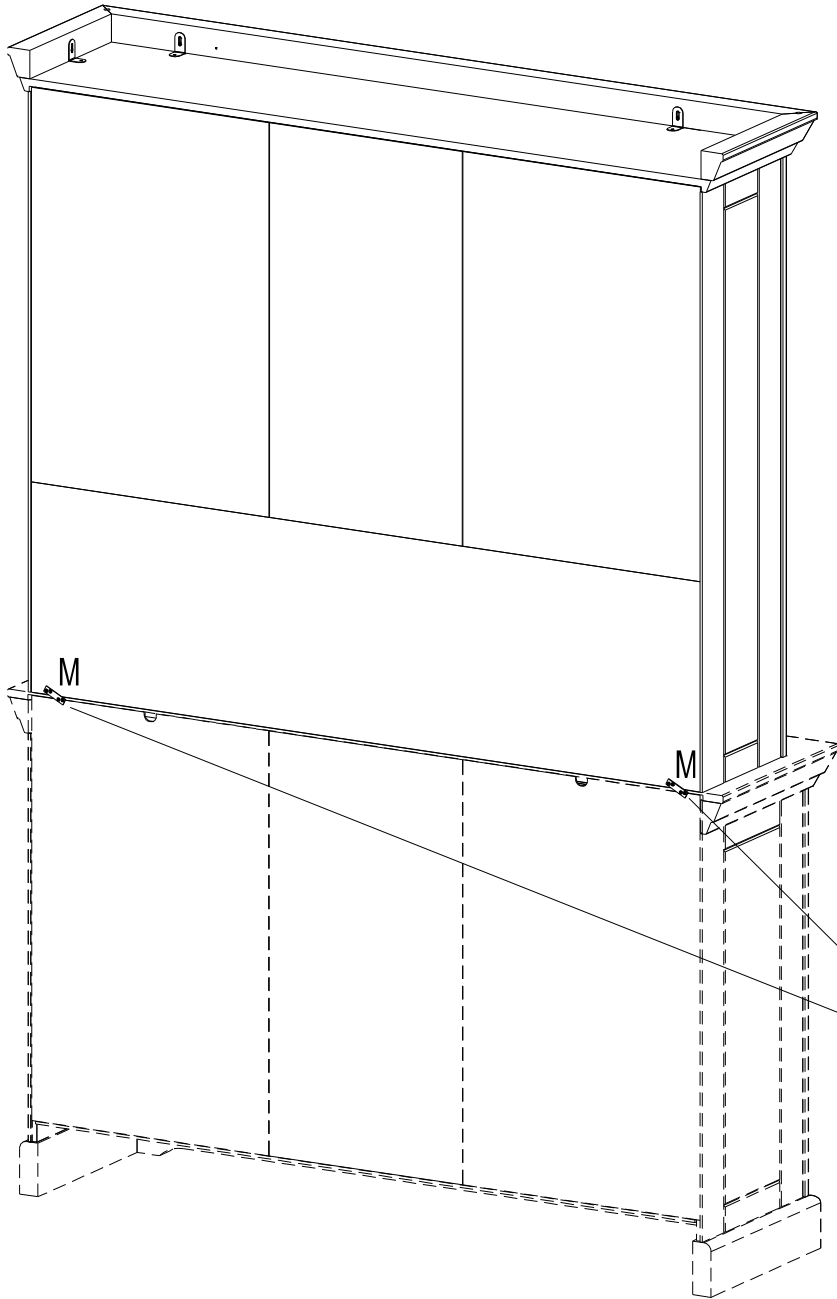


10



11

G	250012 3.5x15 x8	M	180017 x2
----------	------------------------	----------	--------------



7-8

12

D 190009
x8

N 090001
8x50
x2

O 180080
x2

P 250012
3.5x15
x2

Q 250069
5x50
x2

R 190002
x4

